



US00D508374S

(12) **United States Design Patent**  
**Martin**

(10) **Patent No.:** **US D508,374 S**

(45) **Date of Patent:** **\*\* Aug. 16, 2005**

(54) **CONTAINER**

(76) **Inventor:** **Laura Ann Martin**, 460 Avenue of the Americas, Apt. 3-C, New York, NY (US) 10011

(\*\*) **Term:** **14 Years**

(21) **Appl. No.:** **29/219,725**

(22) **Filed:** **Dec. 21, 2004**

**Related U.S. Application Data**

(63) Continuation of application No. 29/180,461, filed on Apr. 24, 2003, now Pat. No. Des. 495,212, which is a continuation of application No. 10/314,504, filed on Dec. 9, 2002.

(51) **LOC (8) Cl.** ..... **07-06**

(52) **U.S. Cl.** ..... **D7/590; D7/601**

(58) **Field of Search** ..... D7/590-597, 601, D7/629, 630; D9/500-504, 515, 549, 559, 572-575; 211/71.01; 222/142.1-142.9, 480; 220/780-805

(56) **References Cited**

**U.S. PATENT DOCUMENTS**

3,731,819 A	*	5/1973	Sandhage	.....	211/74
4,019,638 A	*	4/1977	Miller	.....	211/74
D407,306 S	*	3/1999	Saab	.....	D9/740
D468,162 S	*	1/2003	Martin	.....	D7/592

\* cited by examiner

*Primary Examiner*—Terry A. Wallace  
(74) *Attorney, Agent, or Firm*—Robert B. Reeser, III; Armstrong Teasdale LLP

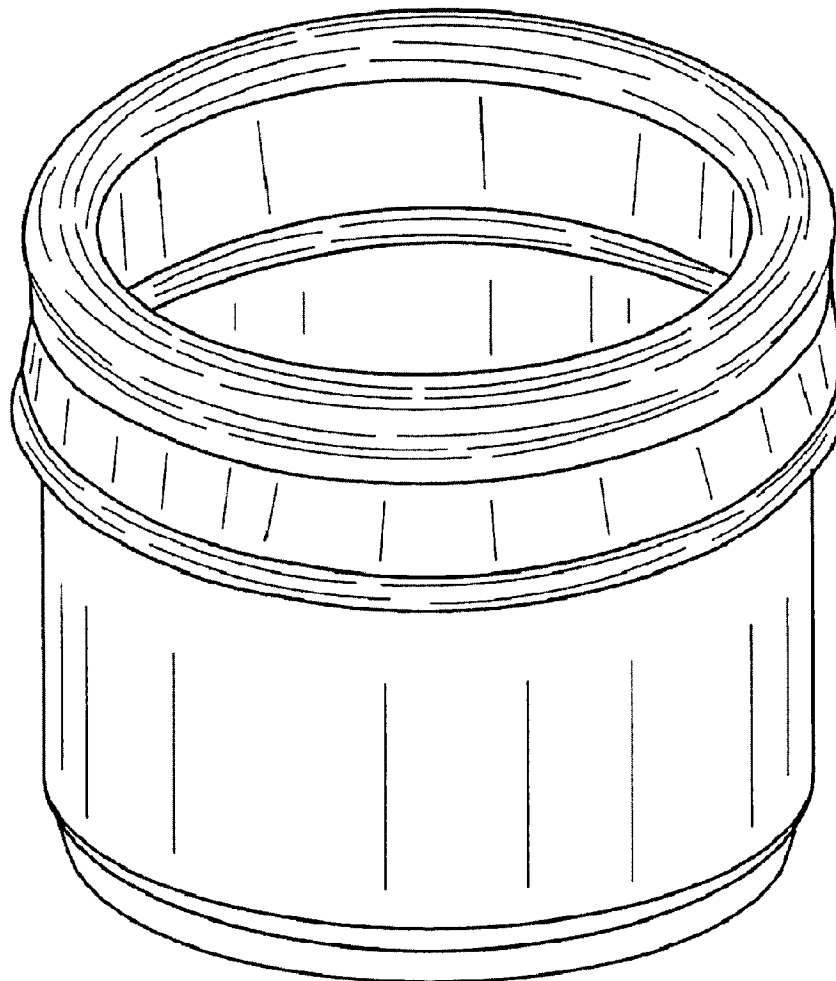
(57) **CLAIM**

I claim the ornamental design for a container, as shown and described.

**DESCRIPTION**

FIG. 1 is a perspective view of an exemplary container; and, FIG. 2 is a plan view of the container as shown in FIG. 1.

**1 Claim, 2 Drawing Sheets**



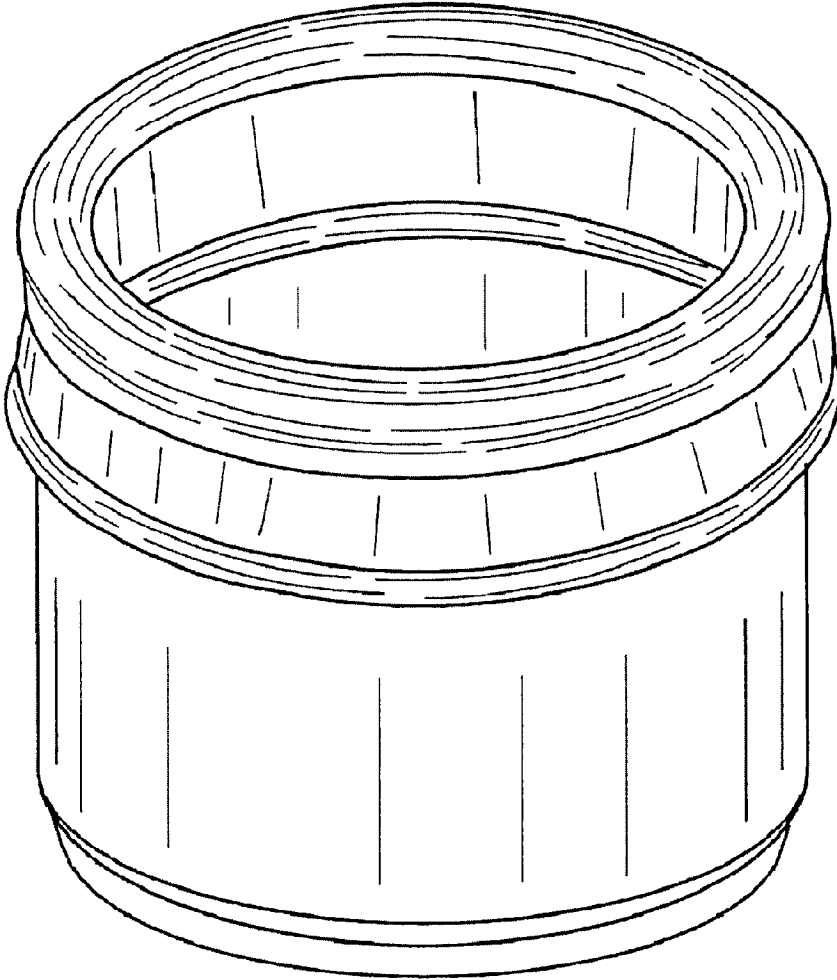


FIG. 1

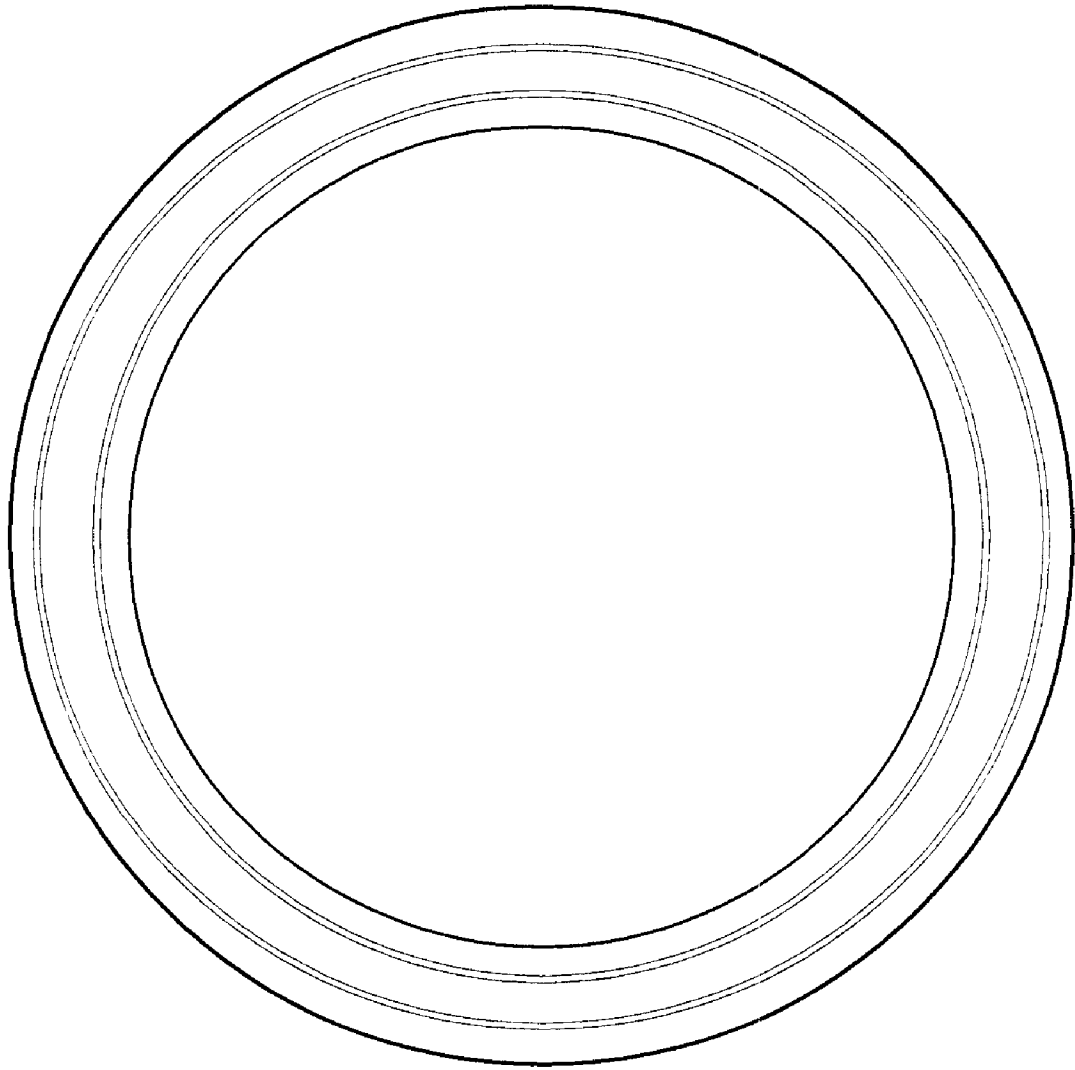


FIG. 2