



US00D503075S

(12) **United States Design Patent**
Martin

(10) **Patent No.:** **US D503,075 S**
(45) **Date of Patent:** **** Mar. 22, 2005**

- (54) **CONTAINER**
- (76) **Inventor:** **Laura Ann Martin**, 450 Avenue of the Americas, Apt. 3-C, New York, NY (US) 10011
- (**) **Term:** **14 Years**
- (21) **Appl. No.:** **29/206,423**
- (22) **Filed:** **May 28, 2004**

Related U.S. Application Data

- (63) Continuation of application No. 29/180,461, filed on Apr. 24, 2003, now Pat. No. Des. 495,212, which is a continuation of application No. 10/314,504, filed on Dec. 9, 2002.
- (51) **LOC (7) Cl.** **07-06**
- (52) **U.S. Cl.** **D7/592**
- (58) **Field of Search** D7/590-597, 701, D7/707, 708; D6/569, 514, 553, 574; D9/500-504, 506, 515, 549, 559, 572-575; 211/71.01, 74, 75; 222/142.1-142.9, 480; 248/311.2, 206.5

References Cited

U.S. PATENT DOCUMENTS

165,670 A	7/1875	Goodwin et al.
178,878 A	6/1876	Putnam
345,554 A	7/1886	Tate
425,768 A	4/1890	Ezell
1,215,018 A	2/1917	Grossman
1,216,252 A	2/1917	Ferguson
1,394,545 A	10/1921	French
D67,752 S	7/1925	Frahm
1,547,080 A	7/1925	Swan
1,712,140 A	5/1929	Flegenheimer
2,217,514 A	10/1940	Henry
2,480,606 A	8/1949	Rabbitt
2,514,416 A	7/1950	Plunkett
D190,510 S	6/1961	Grandinetti
3,063,602 A	11/1962	Anderson
3,096,910 A	7/1963	Pehr
3,184,098 A	5/1965	Sabaka
3,335,915 A	8/1967	Shannon

3,642,122 A	2/1972	Von Ende
3,695,487 A	10/1972	Slayton et al.
3,731,819 A	5/1973	Sandhage
D233,815 S	12/1974	Salviato
3,878,971 A	4/1975	Freedman
4,019,638 A	4/1977	Miller
4,346,823 A	8/1982	Eppenbach
D267,847 S	2/1983	Pielert
4,378,889 A	4/1983	Lebowitz
4,484,682 A	11/1984	Crow
4,541,551 A	9/1985	Vierkotter et al.
4,544,063 A	10/1985	Neward
4,583,667 A	4/1986	Fishman et al.
4,819,815 A	4/1989	Tarlow et al.
D303,900 S	10/1989	Ancona et al.
4,984,720 A	1/1991	Groya et al.
D314,491 S	2/1991	Carter et al.
5,020,699 A	6/1991	Sams
5,054,663 A	10/1991	Groya et al.

(List continued on next page.)

OTHER PUBLICATIONS

- S.T. International Group, Inc., Catalog, "Storage Boxes," p. 73.
- Lionel Trains Library, Catalog, "Magnetic Milk Can Set 1947-1959," updated Mar. 24, 2000.
- John Cleary, Clearco Products Co., Inc., Declaration and Catalog pages.
- Kamenstein, Catalog for Magnet Ware, copyrighted 1998.
- Lee Valley & Veritas, Fall Projects flyer, 1999.
- Lee Valley, Fine Woodworking Tools flyer, 1996.

Primary Examiner—Terry A. Wallace
(74) *Attorney, Agent, or Firm*—Armstrong Teasdale

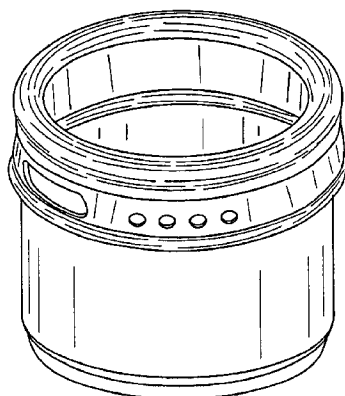
(57) **CLAIM**

I claim the ornamental design for a container, as shown and described.

DESCRIPTION

FIG. 1 is a perspective view of an exemplary container; and, FIG. 2 is a plan view of the container as shown in FIG. 1.

1 Claim, 2 Drawing Sheets



US D503,075 S

Page 2

U.S. PATENT DOCUMENTS

5,123,574 A	6/1992	Poulos	D402,512 S	12/1998	Lee et al.
5,193,722 A	3/1993	Groya et al.	5,850,950 A	12/1998	Hofmann
5,240,155 A	8/1993	Mueller et al.	D405,999 S	2/1999	Lee et al.
5,367,278 A	11/1994	Yoshikawa	5,871,107 A	2/1999	Johnson et al.
5,368,203 A	11/1994	Friedrich et al.	D407,306 S	3/1999	Saab
5,407,107 A	4/1995	Smith	5,947,329 A	9/1999	Bailey
5,411,186 A	5/1995	Robbins, III	6,039,224 A	3/2000	Dallas, Jr. et al.
5,456,359 A	10/1995	Horn	6,047,837 A	4/2000	Kessens
5,465,871 A	11/1995	Robbins, III	6,065,632 A	5/2000	Moore, Jr.
5,489,049 A	2/1996	Robbins, III	6,279,760 B1	8/2001	Broeski
5,544,747 A	8/1996	Horn	6,283,339 B1	9/2001	Morrow
D379,148 S	5/1997	Robbins, III et al.	6,305,656 B1	10/2001	Wemyss
5,655,673 A	8/1997	Weterrings et al.	6,318,569 B1	11/2001	Rothing
5,660,276 A	8/1997	Winnard	6,422,426 B1	7/2002	Robbins, III et al.
5,669,516 A	9/1997	Horn	D468,162 S	1/2003	Martin
			2004/0026420 A1	2/2004	Smith

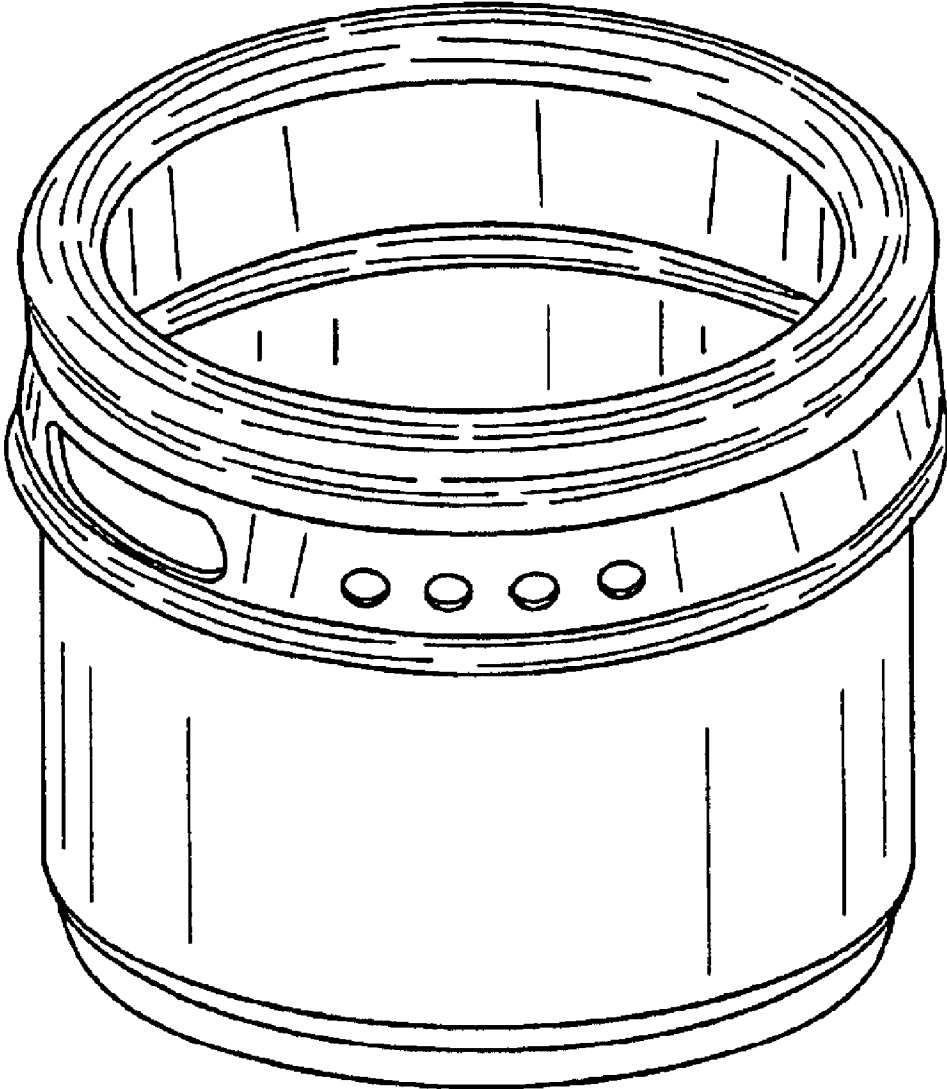


FIG. 1

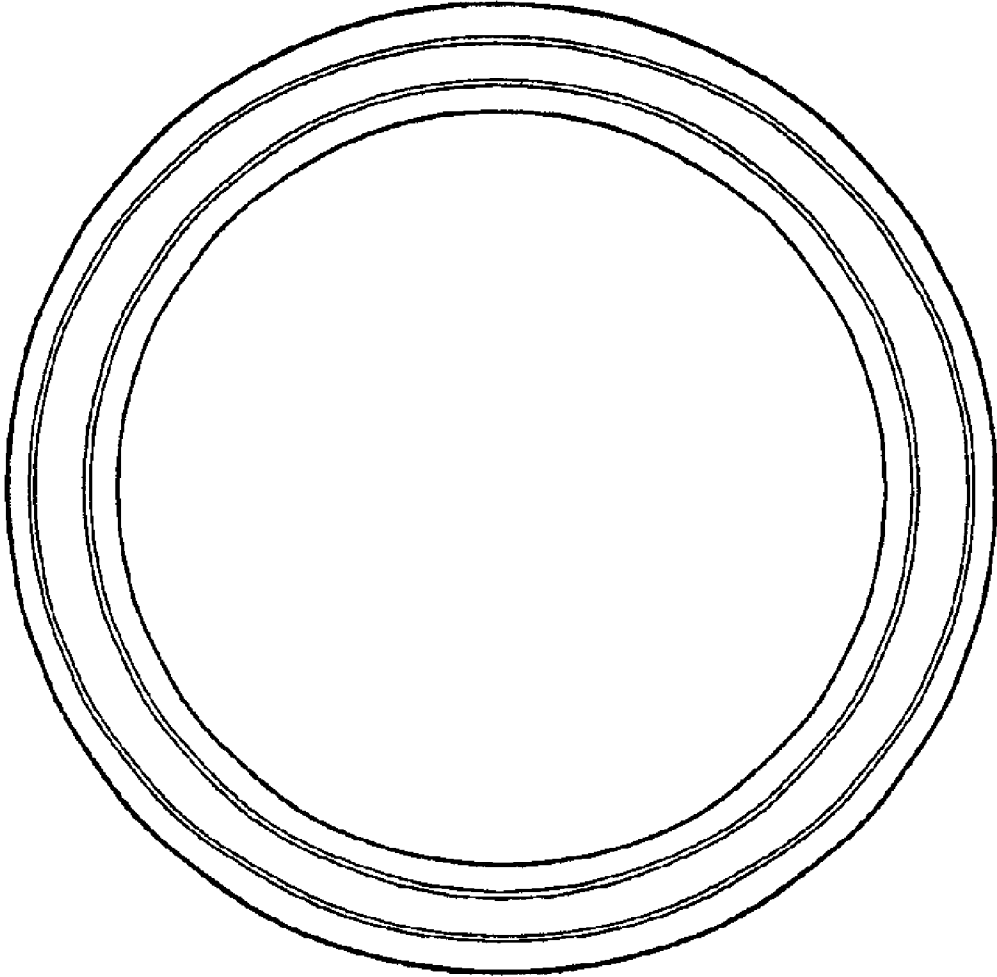


FIG. 2